

M-254 Operation Instruction

Infrared Motion & Presence Safety Sensor

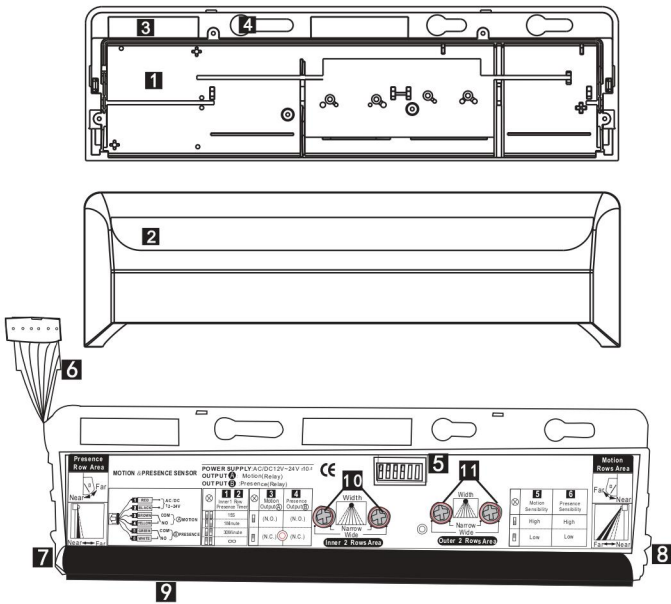
EMC TESTED
NO.:BSTDG
1001420419
26C-1
CE



1 Safety Instruction

! Thank you for your purchasing, please refer to the following details before using.

2 Product Overview

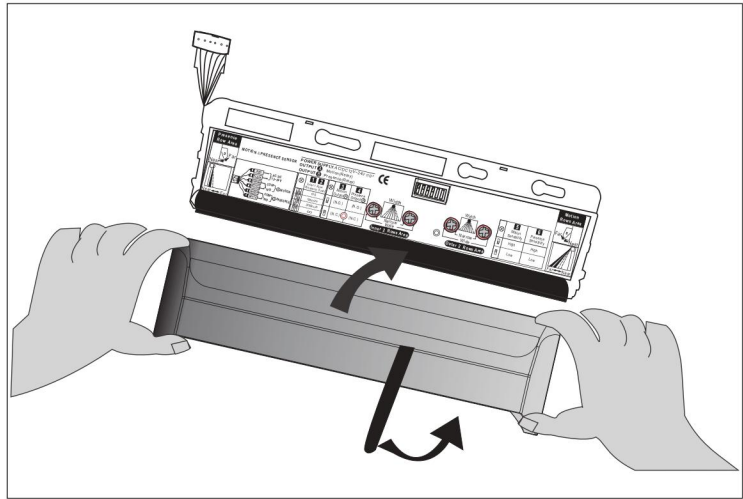
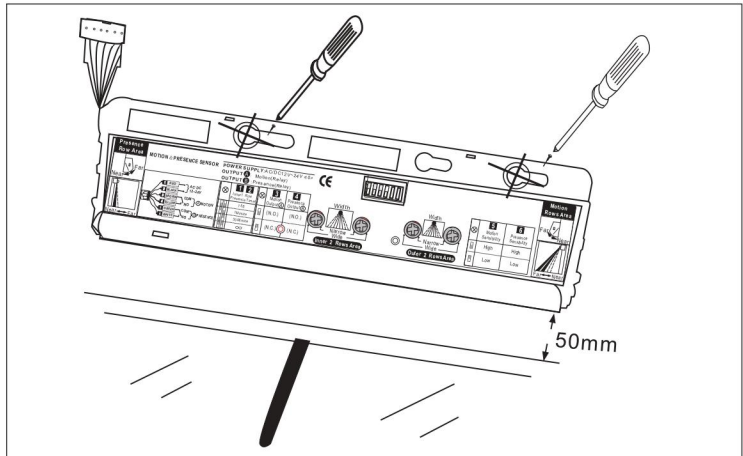
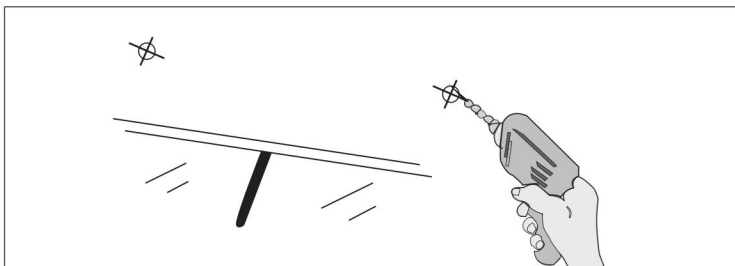


- 1** BOTTOM
- 2** TOP COVER
- 3** HOLE OF LINE
- 4** SCREW HOLE
- 5** DIP SWITCH
- 6** 6PIN LINE
- 7** DEPTH ADJUST
- 8** DEPTHADJUST
- 9** LED INDICATOR
- 10** WIDTH ADJUST (INNER 2 LINES)
- 11** WIDTH ADJUST (OUTTER 2 LINES)

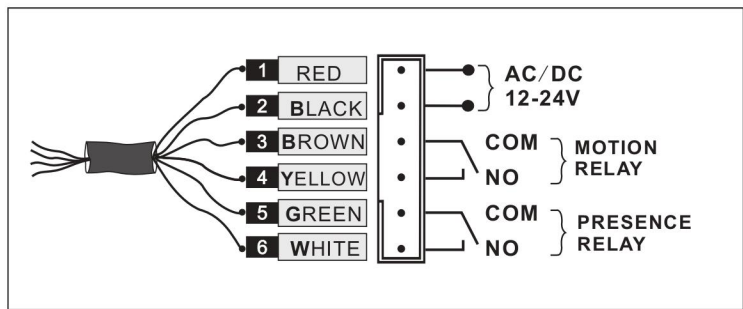
3 Characteristics

- Infrared motion&presence sensor is used for automatic sliding door, folding door and Curve door. Infrared technology is also for door activation and safety entrance.
- Have function of background self-learn. Can learn background automatically when power on. Suit all kinds of occasions. Always self-correcting once be influenced by quake, distortion, move, dark and sunshine. Ensure the sensor can work durable.

4 Installation



5 Wiring Diagram

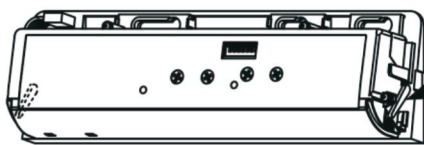
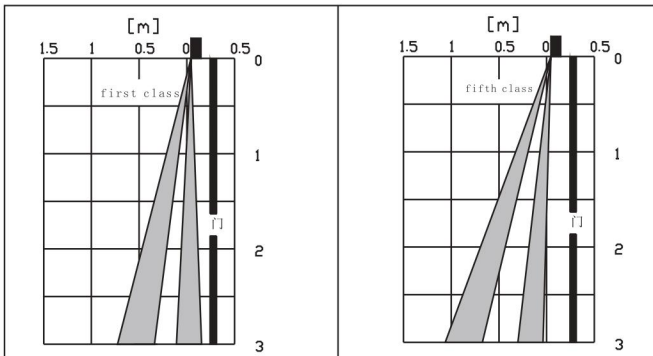
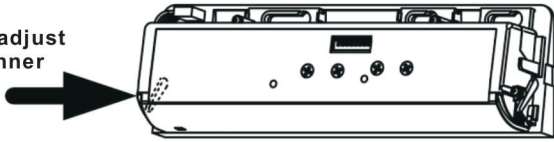


6 DIP SWITCH SETTING

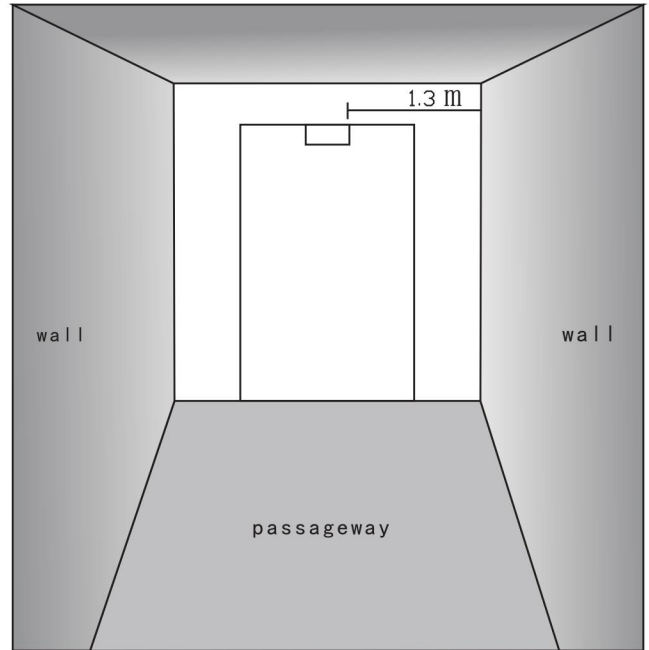
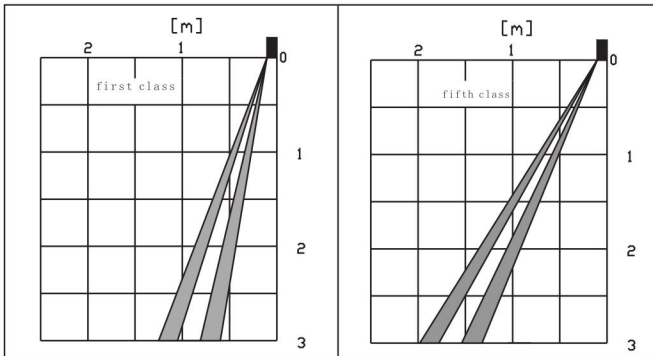
	TIME OF BACKGROUND UPDATED				
	MOTION RELAY				
	PRESENCE RELAY				
	SENSIBILITY OF MOTION				
	SENSIBILITY OF PRESENCE				

7 Infrared Activation Sensing Field: Width & Depth

depth adjust of the inner 2 lines

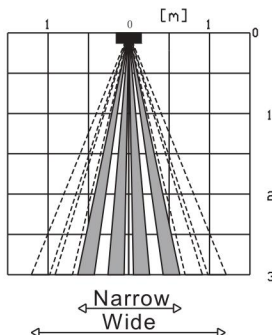
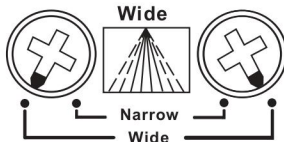
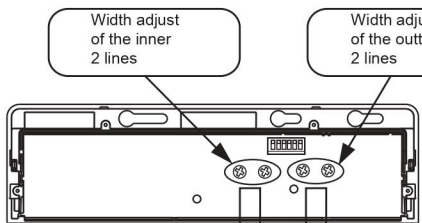


depth adjust of the outer 2 lines



Notice: if the width of passageway is less than 1.3m, must adjust low width of the left and right .

Width adjust of the inner or outer 2 lines:



8 Parameter

Power Input:	AC/DC 12-24V(-/+10%)
length of the line:	2.5m
Signal output:	Relay, 1 for motion, 1 for presence
Max Installation height:	2600mm
Static current:	30mA(DC12V)
Action current:	110mA(DC12V)
Dimension:	229(L)×67(W)×41(H)mm
Cover:	ABS
RAY TYPE:	Reflect infrared
Ray source:	Infrared940nm
Quantity of ray:	1 line for presence, 4 emits, 16 spots 3 lines for motion, 12 emits, 48 spots
Self-learning time:	10s
Operation Indicate:	Standby by green LED, motion by yellow LED, presence by red LED
Temperature:	-40 C to 60 C
Detection range:	1600(W)×800(D)mm
Respond:	<=100ms